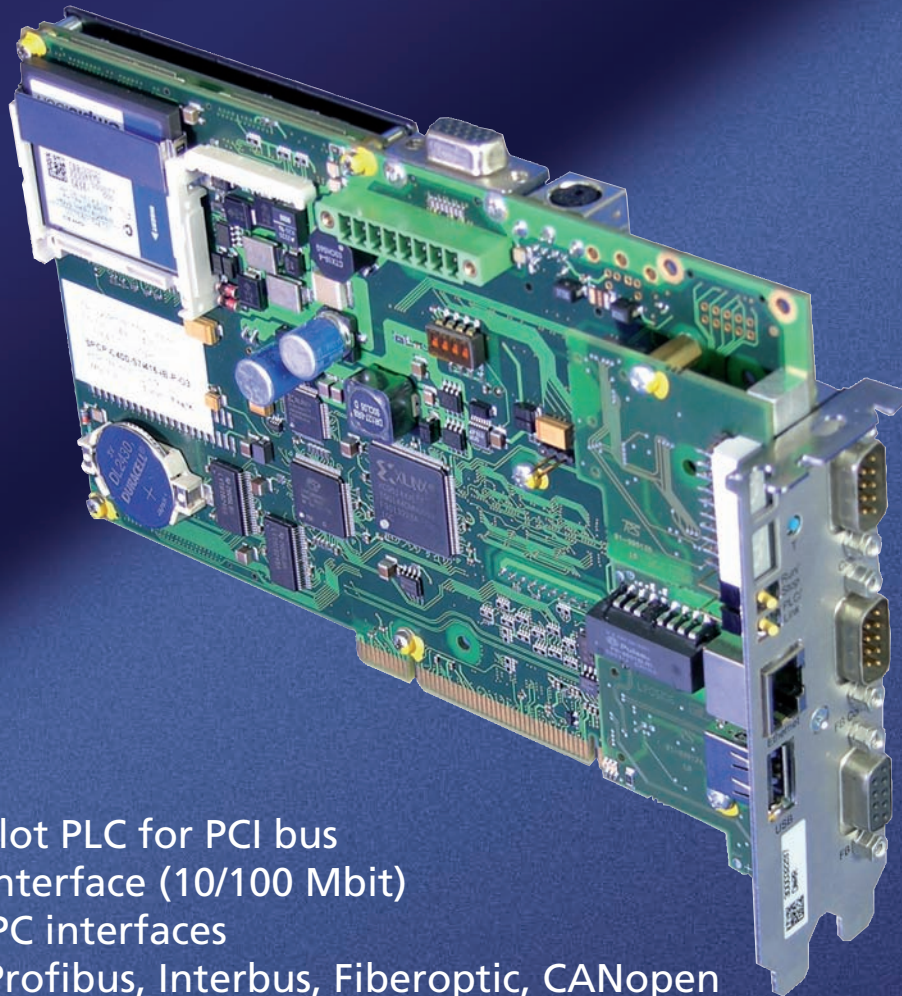


## SPCP - Slot PLC

Our compact slot PLC „SPCP“ for your PC controller is compatible to the „Siemens S7-300®,S7-400®“ - series. Use the high transfer rate via PCI bus for visualization of the process image.



- Compact slot PLC for PCI bus
- Ethernet Interface (10/100 Mbit)
- Standard PC interfaces
- Fieldbus: Profibus, Interbus, Fiberoptic, CANopen
- STEP 7® Siemens programmable
- Performance is scalable up to Intel® Pentium® M 1,1 GHz

# SPCP

The SPCP-3 15/416 of TRS combines for the PCI bus the advantages of the STEP7® programmable slot PLC with those of the PC (visualization, data processing, networking...).

The system is designed for the use within a PC with PCI interfaces. The communication between the CPU and PC via dual port RAM is unbeatable fast. The SPCP-315 has every standard PC interface such as Ethernet - as well usable for PG-/OP- communication - RS232, USB and fieldbus. The performance (ETX technology) and the memory are scalable and prepared for complex control tasks.

As data memory one can use a CF card with selectable memory size and the status signal of the slot PLC can be shown in a seven-segment display.

By choosing a fieldbus master for your system you can freely select between the standard fieldbus such as Profibus-DP, CANopen or fiber optic cable. STEP 7® is the programming language which is used to program within the user interface „SIMATIC® Manager“ or „S7 für Windows®“.

## Technical data

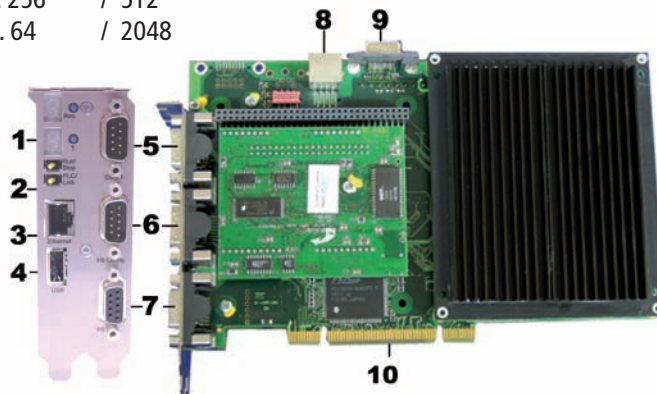
Power supply.....	5 VDC from PCI bus external option: 12/24 VDC
Current consumption.....	2 A (5 VDC)
Fieldbus (Master).....	arbitrary: Profibus-DP / Fiber Optic / Interbus / CANopen
ETX-CPU .....	Prozessor Intel® Celeron® 400 MHz up to Intel® Pentium® M 1,1 GHz
Memory .....	25 kByte flash / 128 kByte RAM
Operating temperature (°C).....	0 ... +50

## PLC features (S7 specific)

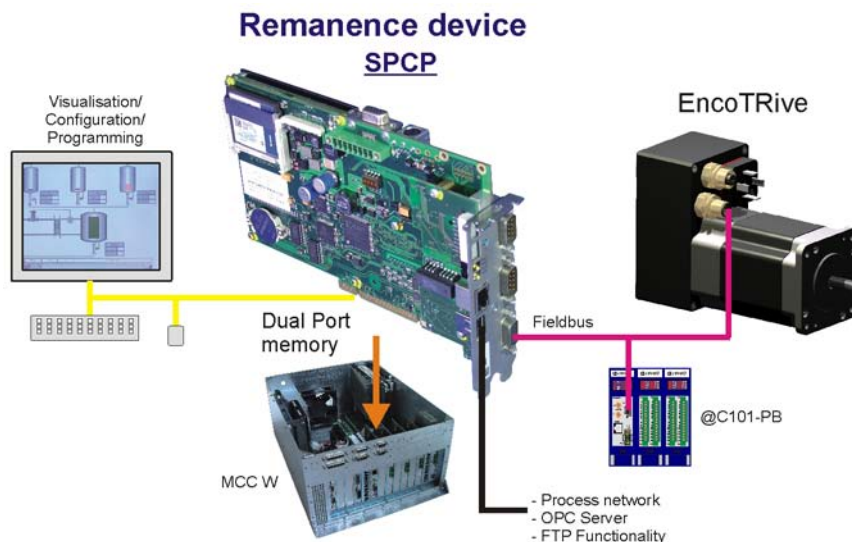
	315	/ 416
Marker.....	2048	/ 16384
Loading storage.....	256 kB	/ adjustable
Work storage.....	256 kB	/ adjustable
Digitale I/O.....	1024	/ 32768
Times.....	256	/ 512
Counter.....	256	/ 512
Analog I/O.....	64	/ 2048

## Interface

1. PLC status
2. System switch
3. Ethernet
4. USB
5. COM Port
6. Fieldbus RS232
7. Fieldbus
8. Keyboard
9. VGA output
10. PCI slot



## Example:



Copyright by TR-Systemtechnik. All rights reserved.